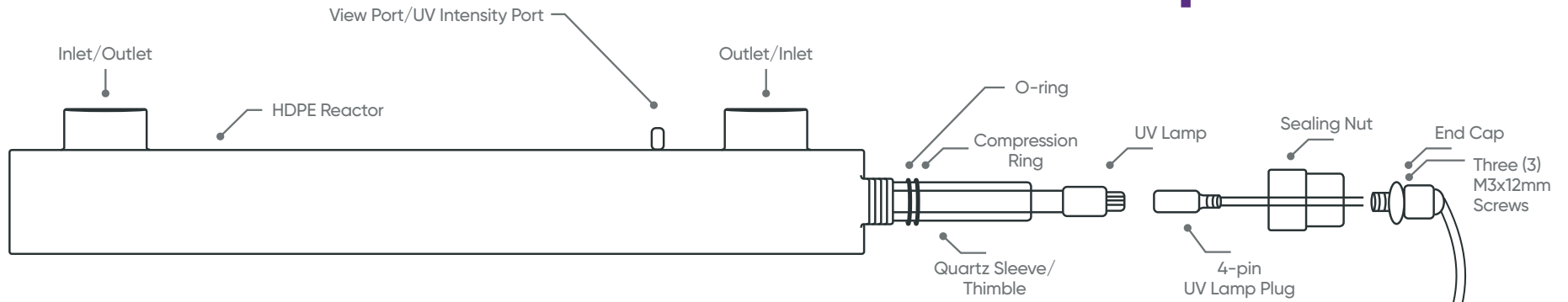


Exploded View



P-Series[™]

Horizontal Installation

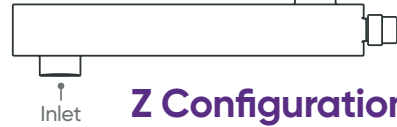


U Configuration

Vertical Installation

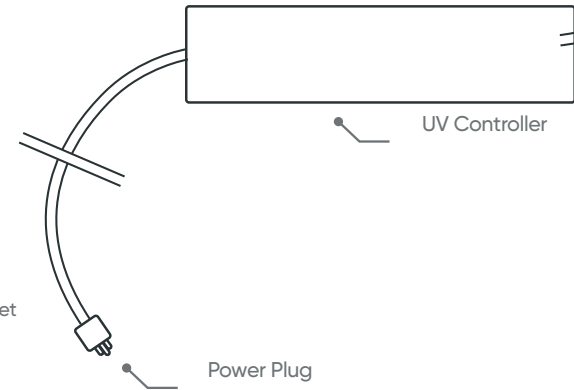
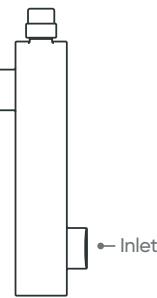


Horizontal Installation



Z Configuration

Vertical Installation



Outlet points should be facing upwards in horizontal installations, or the outlet should be the top port in vertical installations to prevent airlocks.