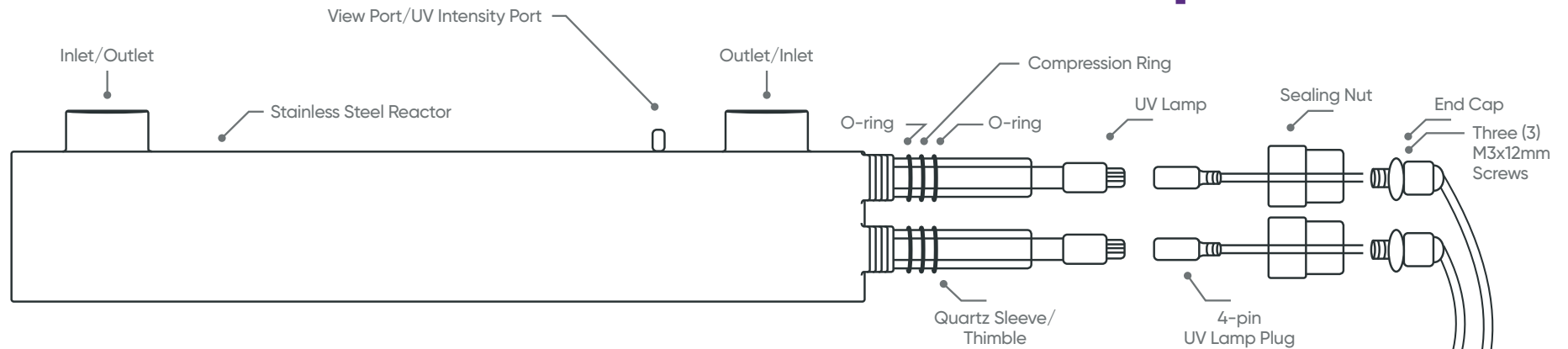
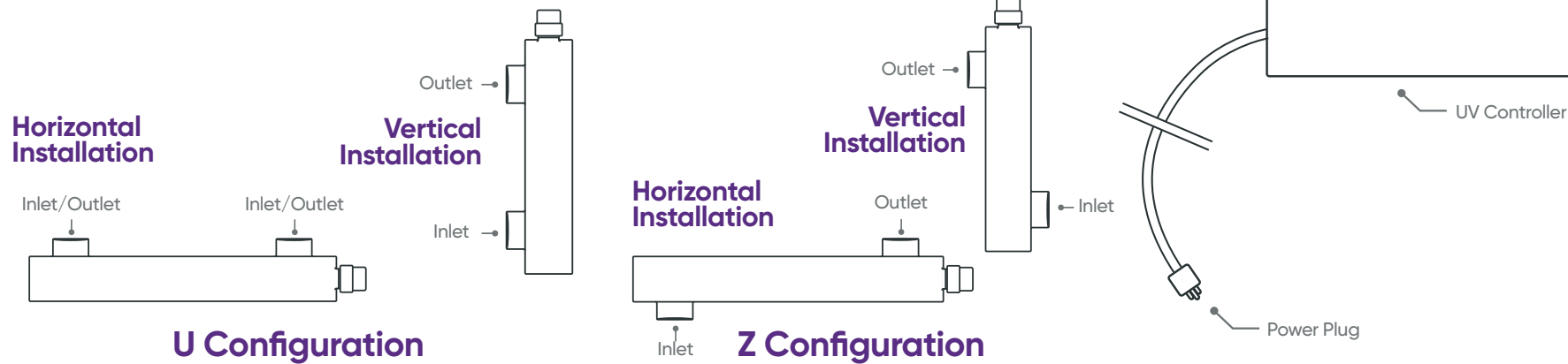


Exploded View



X-Series[™]



Outlet points should be facing upwards in horizontal installations, or the outlet should be the top port in vertical installations to prevent airlocks.